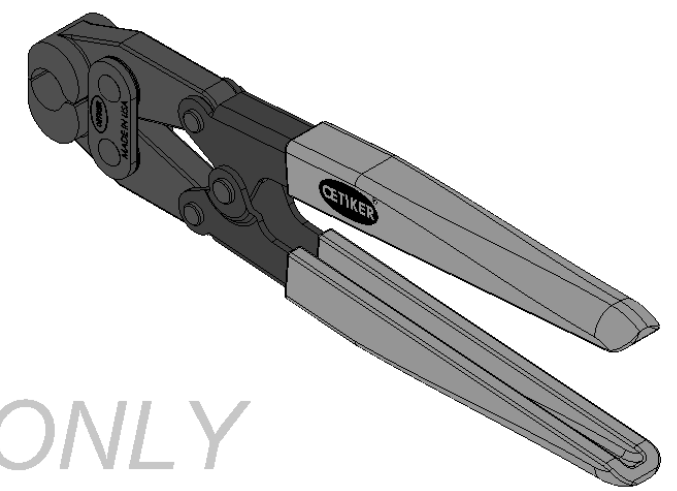
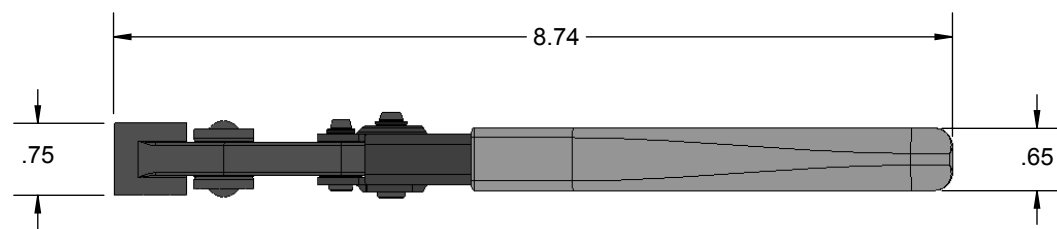
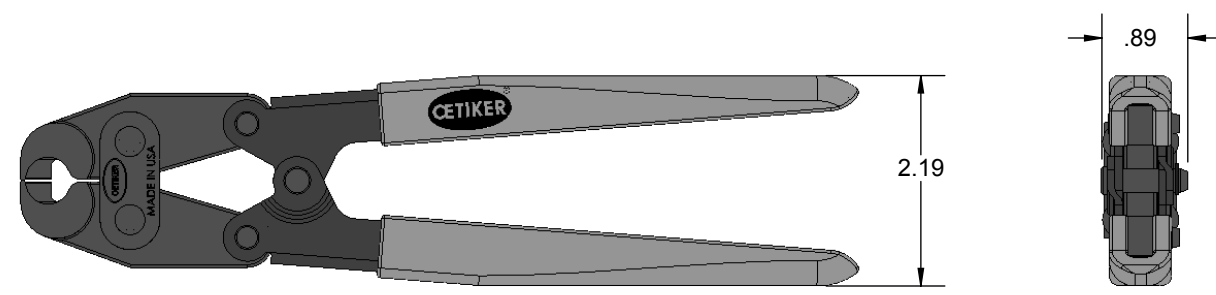


8 7 6 5 4 3 2 1



CUSTOMER COPY ONLY
UNCONTROLLED DOCUMENT



PROPRIETARY AND CONFIDENTIAL
THE INFORMATION CONTAINED IN THIS DRAWING IS THE SOLE PROPERTY OF OETIKER TOOL CORPORATION. ANY REPRODUCTION IN PART OR AS A WHOLE WITHOUT THE WRITTEN PERMISSION OF OETIKER TOOL CORPORATION IS PROHIBITED.

				EXP. RELEASE	DIMENSIONS ARE IN INCHES		MATERIAL
				FINAL RELEASE	TOLERANCES:		VARIABLES
				SUPERSEDES	FRAC. ±		FINISH
				DWN. C J G	2 DEC. ± .01		VARIABLES
				APPR. C J G	3 DEC. ± .005		HEAT TREAT
					4 DEC. ±		NA
					ANGLES ± 1°		PART DESCRIPTION 14100387 COMPOUND ACTION SIDE JAW PINCHER
					UNLESS OTHERWISE SPECIFIED:		
				SCALE 1:2	WEIGHT 14.5oz	PART NO. SP 2688-00	
						DO NOT SCALE DRAWING	

REVISION APPR.
OETIKER
TOOL CORPORATION
BRANFORD, CONNECTICUT 06405

8 7 6 5 4 3 2 1 REV.